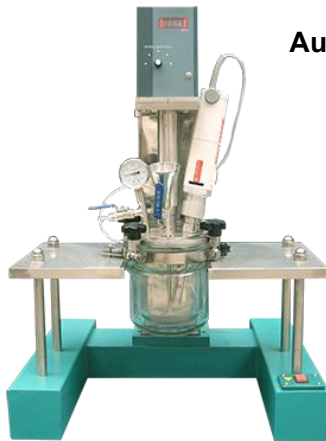


High Shear Homogeneous Reactor system



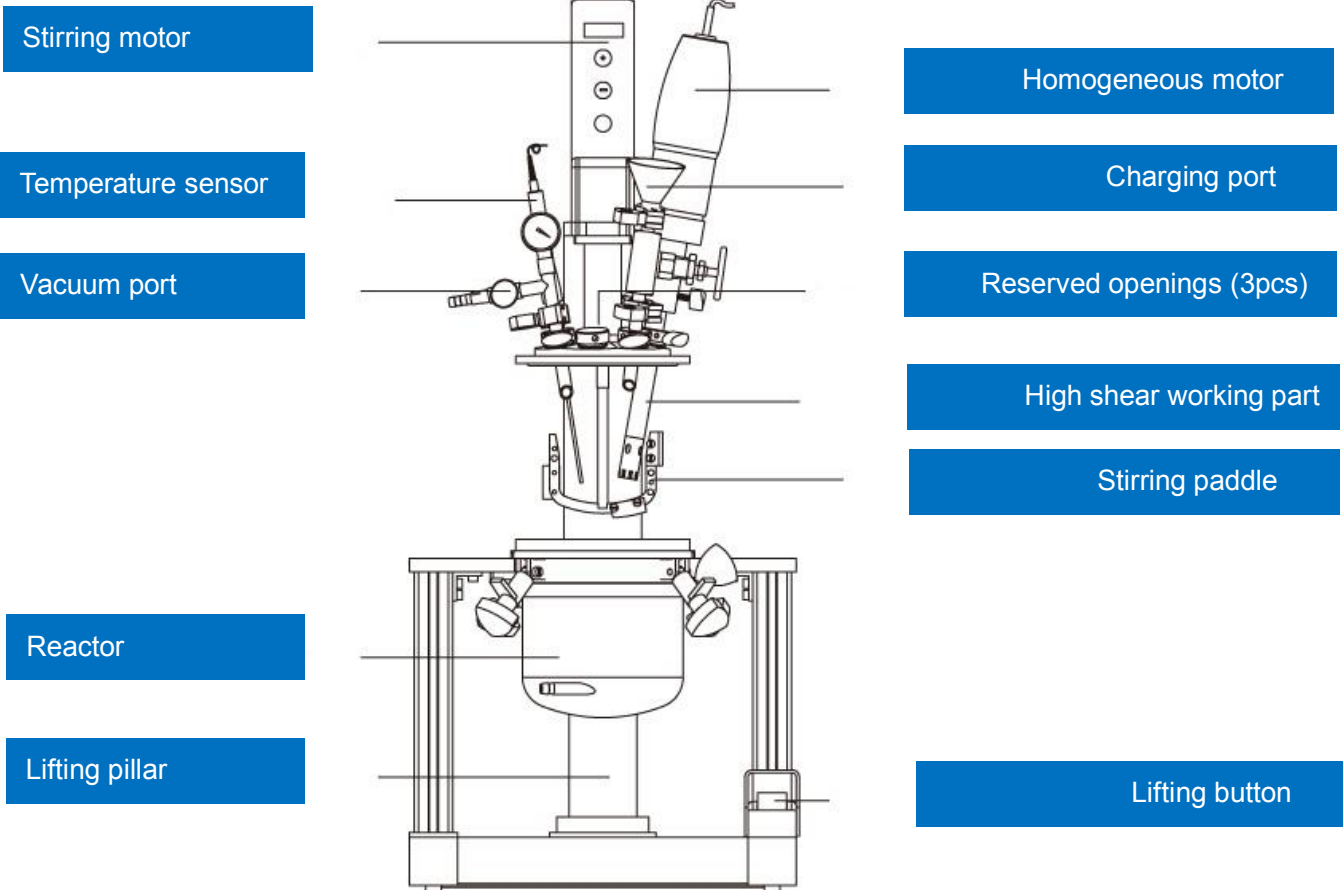
Automatic lifting type



Manual lifting type

Laboratory Homogeneous Emulsification System Reactor is an instrument developed by our engineers with latest German technologies, designed in modular structure, applies to blending, mixing, emulsifying, dispersing and homogenizing mobile liquids. This homogenizer can be widely applied in cosmetic cream, oil-water emulsion, polyreaction and nanophase material dispersion as well as special occasions requiring vacuum or pressure test.

TOPTION homogenizer has simple structure, small bulk, low noise, stable operation and long service life, and it's easy to operate, clean, dismantle and maintain.



Rotary Evaporator
Scraped Film Evaporator / Short Path (Molecular) Distillation System
Chemical Glass Reactor
High Shear Homogeneous Emulsification Reactor
Pilot Ultrasonic Emulsification Reactor
Vacuum Filter / Glass Liquid Separator
Photochemical Glass Reactor
Hydrothermal Synthesis Reactor
High Pressure Reactor

Structure of High Shear Homogeneous Reactor

Rotary Evaporator

Scraped Film Evaporator / Short Path (Molecular) Distillation System

Chemical Glass Reactor

High Shear Homogeneous Emulsification Reactor

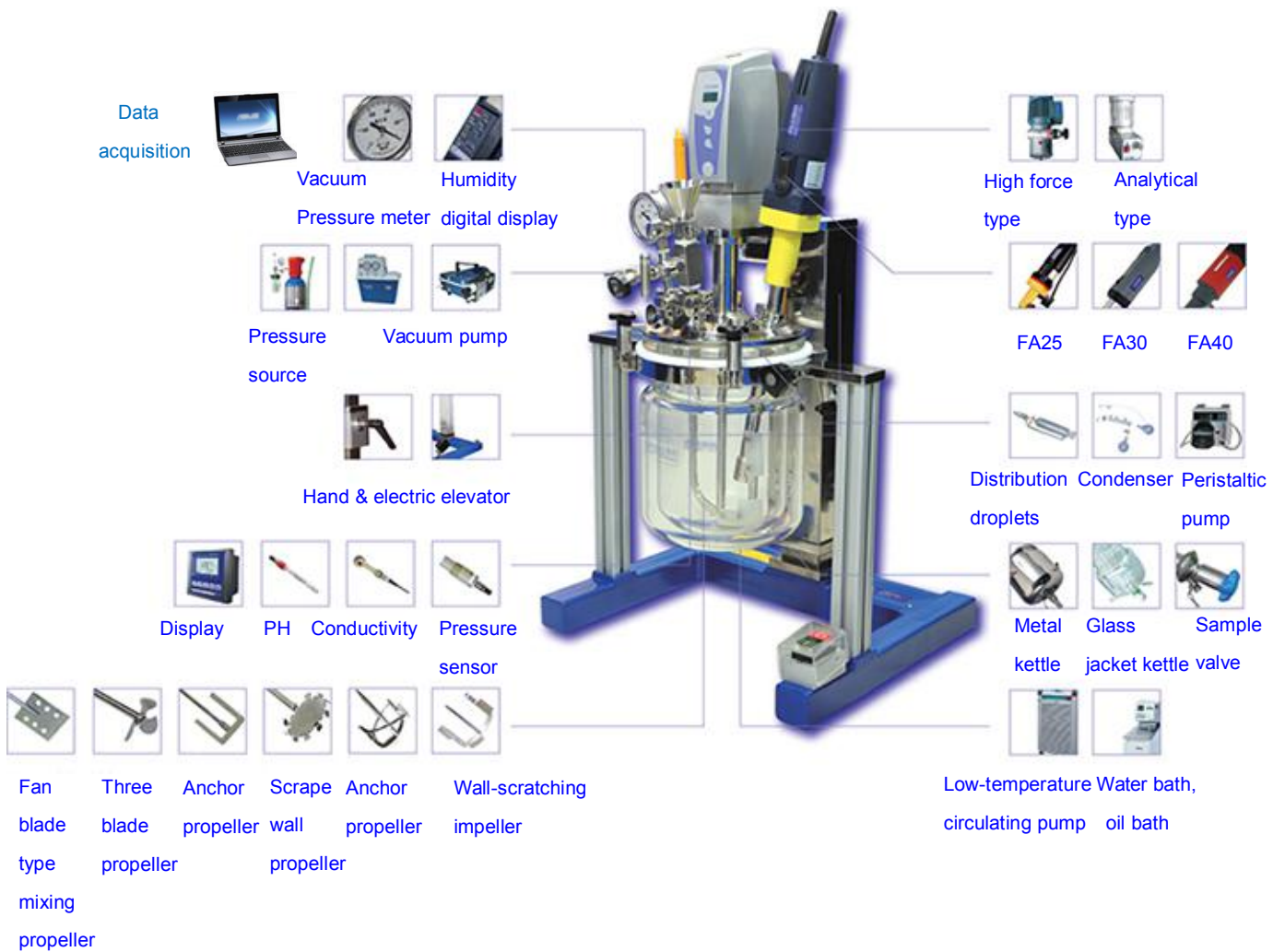
Pilot Ultrasonic Emulsification Reactor

Vacuum Filter / Glass Liquid Separator

Photochemical Glass Reactor

Hydrothermal Synthesis Reactor

High Pressure Reactor



Detail of Structure of High Homogeneous Reactor


Reactor lid

Reaction vessel & stirring paddle

Stainless steel shelf and on/off switch

Technical specification:
A: Automatic lifting type **M:** Manual lifting type

Model	THER-1A THER-1M	THER-2A THER-2M	THER-3A THER-3M	THER-5A THER-5M
Emulsifying capacity	1L	2L	3L	5L
Glass structure	Double-layer	Double-layer	Double-layer	Double-layer
Glass material	G3.3	G3.3	G3.3	G3.3
Homogenizer rotation speed	10000-28000rpm	10000-28000rpm	10000-28000rpm	10000-28000rpm
Lifting height	170 mm	190 mm	190 mm	225 mm
Max.working temperature	120	120	120/180	120/180
Max.handling viscosity	100,000CP	100,000CP	100,000CP	100,000CP
Homogenizer motor power	500W	500W	500W	500W
Main medium-contact materials	SS316L, borosilicate glass, PTFE	SS316L, borosilicate glass, PTFE	SS316L, borosilicate glass, PTFE	SS316L, borosilicate glass, PTFE
Agitator motor power	40W	90W	90W	90W
Agitator rotation speed	0-1300r/min	0-1300r/min	0-1300r/min	0-1300r/min
Overall dimension	40*30*85	45*35*95	45*35*95	45*35*95

This homogenizer can be widely applied in cosmetic cream, oil-water emulsion, polyreaction and nanophase material dispersion as well as special occasions requiring vacuum or pressure test.

Advantages of TOPTION homogenizer are simple structure, small bulk, low noise, stable operation and long service life, and it's easy to operate, clean, dismantle and maintain.

Rotary Evaporator

 Scraped Film Evaporator /
Short Path (Molecular)
Distillation System

 Chemical Glass
Reactor

 High Shear Homogen-
-ous Emulsification
Reactor

 Pilot Ultrasonic
Emulsification Reactor

 Vacuum Filter / Glass
Liquid Separator

 Photochemical
Glass Reactor

 Hydrothermal
Synthesis Reactor

 High Pressure
Reactor